

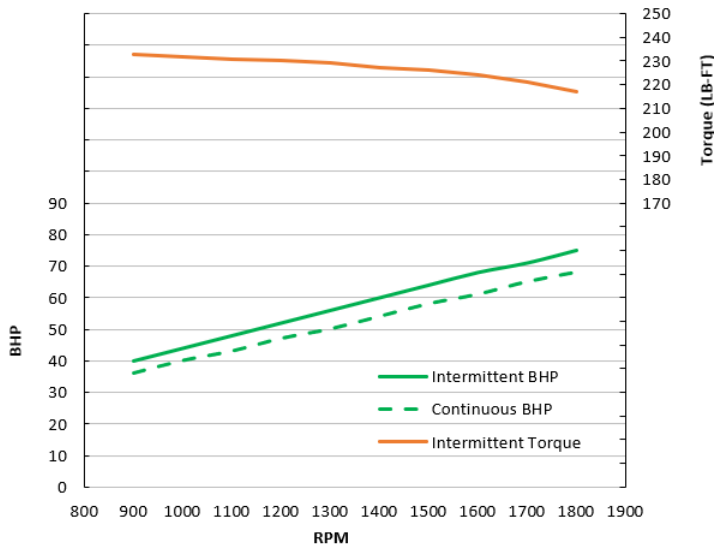
Power Ratings

Contact Arrow Today

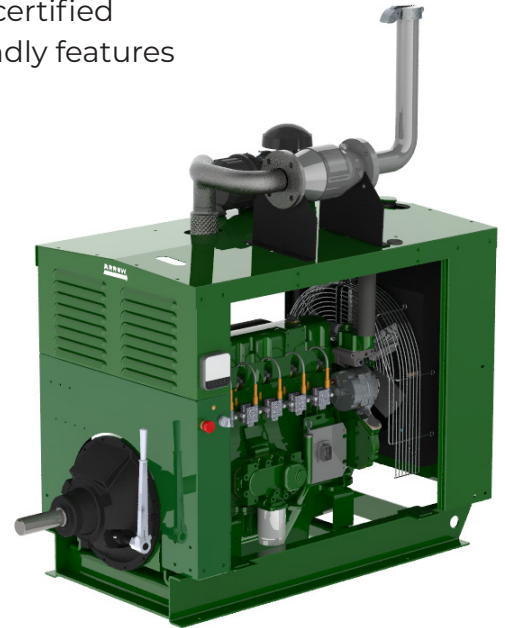
Roger Dennison: 918-699-2238

John Brummel: 630-456-2986

A54-E Power & Torque
1000 BTU/ft³



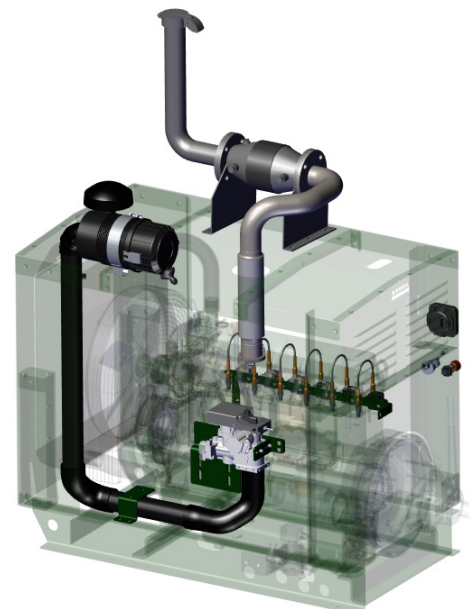
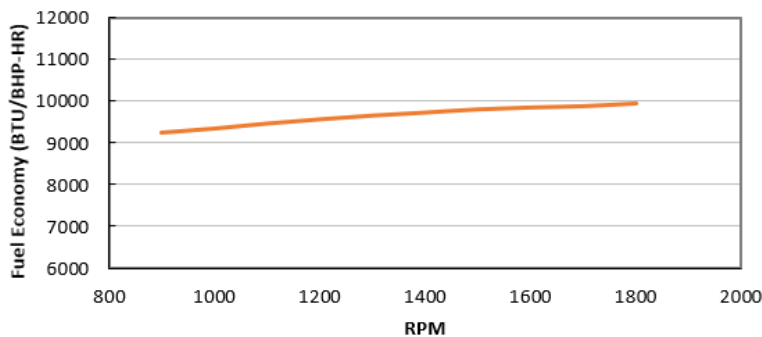
- U.S. EPA-certified
- User-friendly features



PEAK INTERMITTENT TORQUE @ RPM FT-LB 233 @ 900	BRAKE HORSEPOWER AT SPEEDS INDICATED																			
	900		1000		1100		1200		1300		1400		1500		1600		1700		1800	
	I	C	I	C	I	C	I	C	I	C	I	C	I	C	I	C	I	C	I	C
	40	36	44	40	47	42	52	47	56	50	60	54	64	58	68	61	71	64	75	68

Fuel Economy

A54-E Fuel Economy
1000 BTU/ft³



Features

- EPA-certified stationary and nonroad mobile
- Woodward PG+ engine control system
- Bi-fuel capable
- Telematics ready
- Pipeline NG, LPG/VPG, and wellhead NG (700–1,600 BTU/ft³) operating fuels
- Fuel quality learn (no fueling adjustments required)
- Custom color display for engine control and diagnostics
- Optional configurations available

Options

- Open or closed power unit
 - Open or closed genset
 - Certified engine kit for OEM packagers
 - NG lock-off valve*
 - LPG vaporizer and lock-off valve*
 - Exhaust silencer
 - Coalescent filter
 - Fuel gas filter
 - Electric or standard clutch
 - Oil level regulator
 - Coolant level shutdown
 - Customer-specified control panel
- * Lock-off valve required whether factory- or customer-supplied.

ENGINE SPECIFICATIONS	
Configuration	Vertical inline 6-cylinder
Bore x stroke	3.875 inches x 4.665 inches
Engine displacement	5.4L
Compression ratio	8:1
Aspiration	Natural
Max HP continuous	68
Max HP intermittent	75
Number of main bearings	7
Removable sleeves	Yes
Valves per cylinder	2
Ignition	ECM, smart coil
Firing order	1-5-3-6-2-4
Fuel system	ECM, electronic flow regulator (EFR)
Lock-off valve required	Yes
AFR system	ECM, O ₂ closed loop, integral 3-way catalyst
Governor	Electronic
Operating speed range	900–1,800 RPM
Electrical system	12V standard / 24V optional
Air filter	Dry type
Oil capacity	17.5 quarts
Oil cooler	Optional
Coolant capacity	16 quarts
Fan	Suction or pusher
Flywheel	SAE 11.5
Flywheel housing	SAE 3
Approx. wet weight (incl. base)	1,750 pounds

