



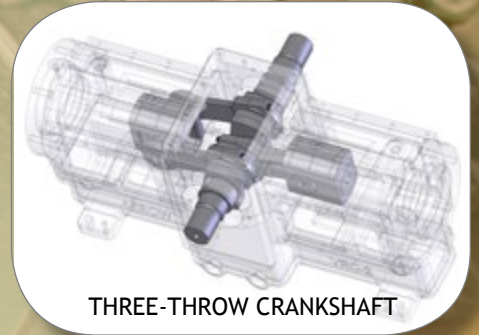
A Tradition of Excellence
Since 1955

VRC-CNG

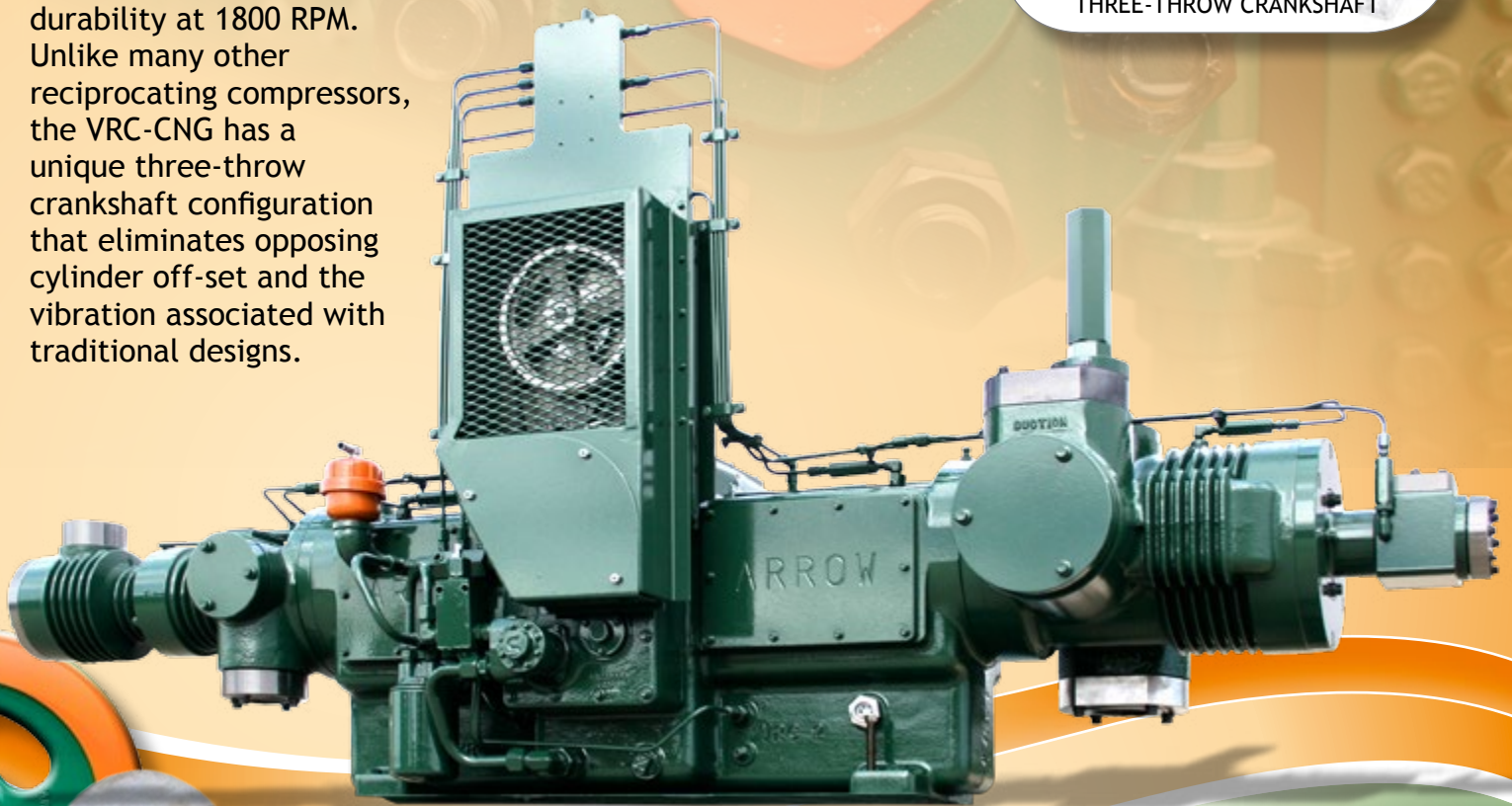
CNG GAS COMPRESSOR

The Arrow VRC-CNG is a two-throw separable reciprocating gas compressor. The horizontally opposed cylinders are accurately balanced for smooth running and long lasting durability at 1800 RPM. Unlike many other reciprocating compressors, the VRC-CNG has a unique three-throw crankshaft configuration that eliminates opposing cylinder off-set and the vibration associated with traditional designs.

Arrow's CNG units have been installed in municipal stations, public fast-fill stations, and slow-fill fleet filling stations.



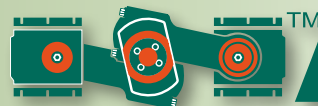
THREE-THROW CRANKSHAFT



Quality Products
Engineered to Last

ARROW

COMPRESSION



VRC-CNG-ML-F-JAN15

Arrow Compression Products
2301 East Independence, Tulsa, Oklahoma 74110

www.ArrowEngine.com

toll free (800) 331-3662 local (918) 583-5711
local fax (918) 699-2202

VRC-CNG FEATURES

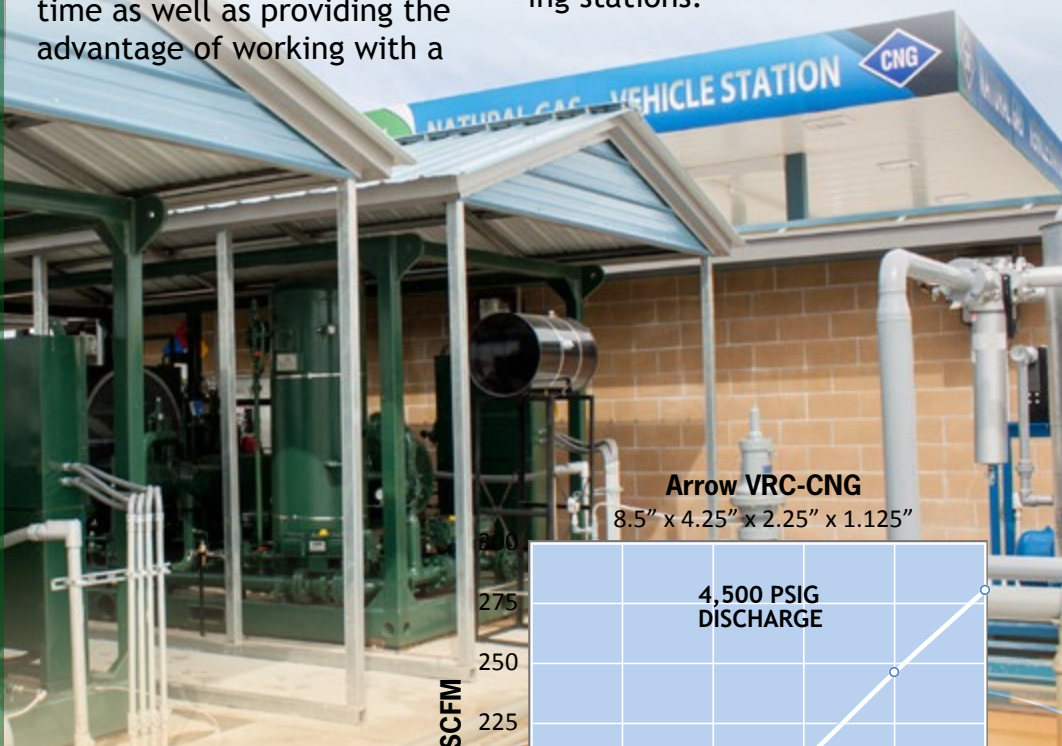
- 150 hp at 1800 rpm
- 3" Stroke
- Combined rod-load capability of 16,000 lbs
- Babbitted crossheads
- Variable volume clearance pocket
- Pressurized cylinder lubrication
- Hoerbiger's latest valve design
- Carbon-filled Teflon® rings and packing

VRC-CNG PACKAGES

Arrow Engine Company has the unique capability of providing gas compressor packagers with an engine and compressor coupled together, accurately aligned and mounted on a small sub-base skid ready to be attached to the main compressor package skid. This concept will save a packager many hours of mounting and alignment time as well as providing the advantage of working with a

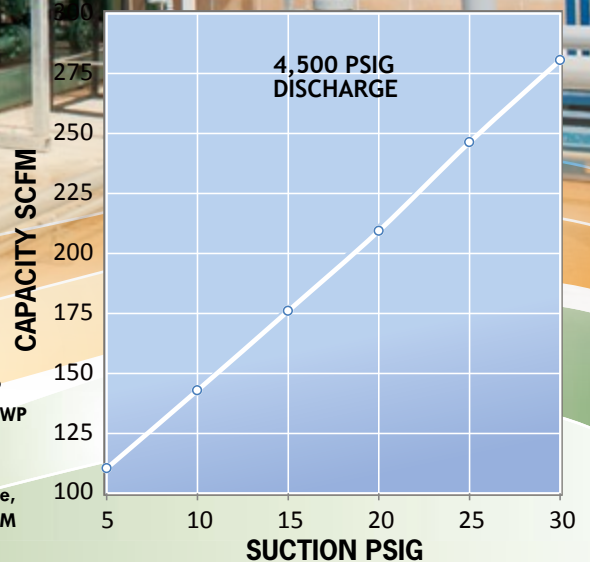
single source provider for your engine, compressor and all of your parts needs.

Arrow can also manufacture the components for a compressor, such as engines, skids, bottles and compressors, but will also produce complete compressor packages ready for use in the field or in CNG fueling stations.



Arrow VRC-CNG

8.5" x 4.25" x 2.25" x 1.125"



Rated @ 150 Horsepower

Motor or Engine Driven

1st Stage: 8.5 cyl rated 250 PSIG MAWP

2nd Stage: 4.25" cyl rated 750 PSIG MAWP

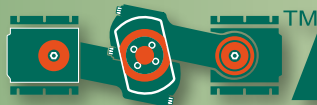
3rd Stage: 2.25" cyl rated 2500 PSIG MAWP

Final Stage: 1.125" cyl rated 6000 PSIG MAWP

Measurements: +/- 5% on a VRC-CNG at 1,000' elevation, 100°F ambient temperature, 70°F gas temperature, NG SG 0.6, 1,800 RPM

ARROW

COMPRESSION



VRC-CNG-ML-F-JAN15

Arrow Compression Products
2301 East Independence, Tulsa, Oklahoma 74110

www.ArrowEngine.com

toll free (800) 331-3662 local (918) 583-5711
local fax (918) 699-2202